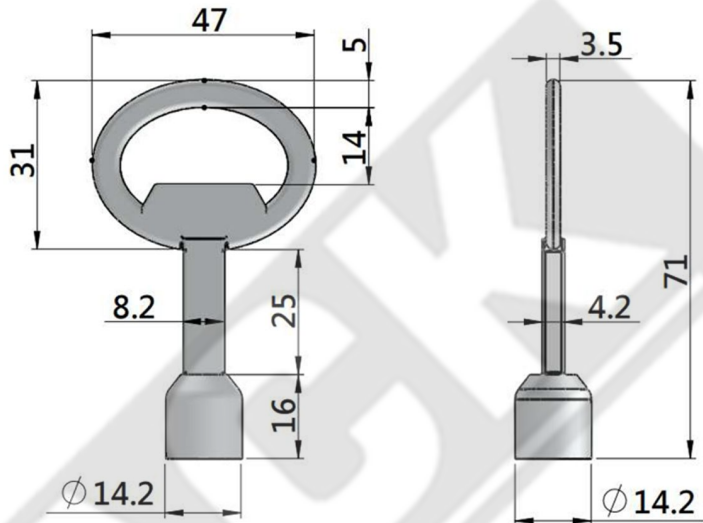


For Product Step File or 3D Model Send a Request Mail To info@nrack.com

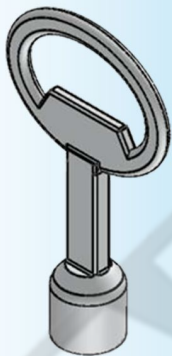
Photo View



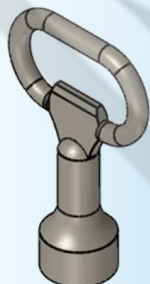
PL - 20



3D Rendered View

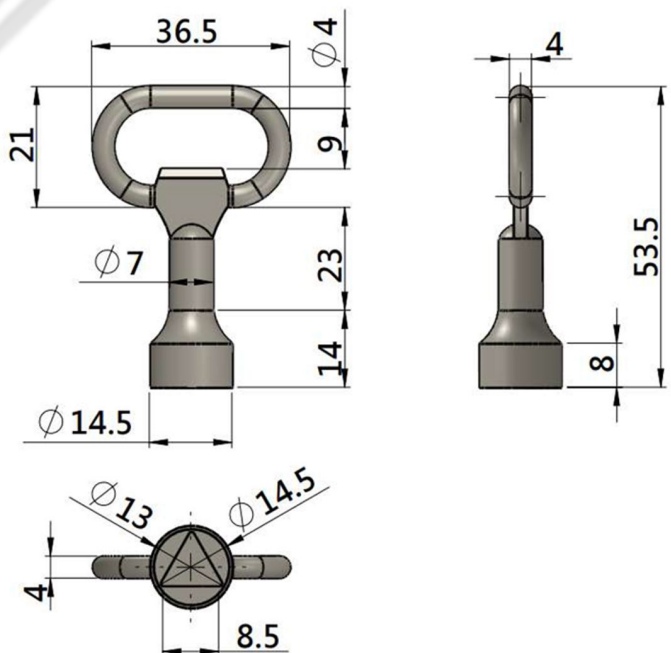


PL - 20



PL - 20(Small)

PL - 20(Small)



- Material: Zinc Die Casting
- Finish: Chrome Plating